



US00D829926S

(12) **United States Design Patent**
Avetsisiants

(10) **Patent No.:** **US D829,926 S**
(45) **Date of Patent:** **** Oct. 2, 2018**

- (54) **RAILING**
- (71) Applicant: **Raman Avetsisiants**, Cape May Court House, NJ (US)
- (72) Inventor: **Raman Avetsisiants**, Cape May Court House, NJ (US)
- (**) Term: **15 Years**
- (21) Appl. No.: **29/609,225**
- (22) Filed: **Jun. 29, 2017**

5,639,069 A * 6/1997 McClure E04H 17/1408
256/24
D528,668 S * 9/2006 Wyatt D25/126
D571,482 S * 6/2008 Wyatt D25/38.1
7,731,160 B2 6/2010 Terrels et al.
7,744,065 B2 6/2010 Terrels et al.
(Continued)

FOREIGN PATENT DOCUMENTS

JP 1095513 * 1/2001

OTHER PUBLICATIONS

https://www.traderopes.com/image/cache/catalog/eksen/eksen_katalog_0033-1200x800.jpg Retrieved Mar. 20, 2018 (Year: 2018).*
(Continued)

Related U.S. Application Data

- (63) Continuation-in-part of application No. 15/629,241, filed on Jun. 21, 2017.
- (51) **LOC (11) Cl.** **25-02**
- (52) **U.S. Cl.**
USPC **D25/38.1**
- (58) **Field of Classification Search**
USPC D25/38.1, 39, 42, 43, 48.1, 48.5
CPC ... B21D 39/044; E04F 11/1842; E04H 17/00;
E04H 17/14; E04H 17/168; E04H
2017/1452
See application file for complete search history.

Primary Examiner — Susan Bennett Hattan
Assistant Examiner — Leanne Was-Englehart
(74) *Attorney, Agent, or Firm* — Dunlap Bennett & Ludwig PLLC

(57) **CLAIM**

The ornamental design for a railing, as shown and described.

DESCRIPTION

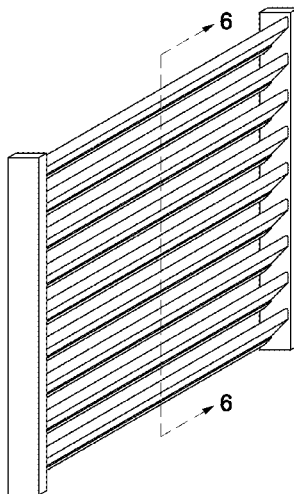
FIG. 1 is a perspective view of a railing;
FIG. 2 is a top elevation view thereof;
FIG. 3 is a front elevation view thereof;
FIG. 4 is a rear elevation view thereof;
FIG. 5 is a left side elevation view thereof, the right side elevation view being a mirror image thereof;
FIG. 6 is a cross-section view taken along line 6-6 in FIG. 1; and,
FIG. 7 is a perspective view thereof.
The broken lines shown in the drawings depict portions of columns, hand rails and support rails that form no part of the claimed invention.

1 Claim, 4 Drawing Sheets

(56) **References Cited**

U.S. PATENT DOCUMENTS

- 421,165 A * 2/1890 D'Arros et al. E06B 7/082
454/224
- 710,857 A * 10/1902 Griesser B01D 3/20
261/114.1
- 1,570,089 A * 1/1926 Schwartzberg E06B 7/082
454/224
- 1,728,498 A * 9/1929 Mart F28F 25/08
261/DIG. 11
- 1,818,438 A * 8/1931 Tracy E06B 7/084
454/224
- 2,397,458 A * 4/1946 George F24F 13/08
261/111



(56)

References Cited

U.S. PATENT DOCUMENTS

8,794,598 B2 * 8/2014 Carbines E04H 17/168
256/19
D738,530 S * 9/2015 Thomas D25/38.1
D780,323 S * 2/2017 Wu D25/39
D784,558 S * 4/2017 Wu D25/38.1
2005/0191466 A1 9/2005 Andrade
2011/0198552 A1 8/2011 Umosella, III
2011/0315941 A1* 12/2011 Carbines E04H 17/168
256/65.03

OTHER PUBLICATIONS

http://www.mossoakfences.com/commercial_louver_vinyl_semi_privacy_fence.php Available Feb. 27, 2012 (Year: 2012).*
<http://www.thekimsixfix.com/2015/07/disguise-your-ac-with-diy-louvered.html> Posted Jul. 2015 (Year: 2015).*

* cited by examiner

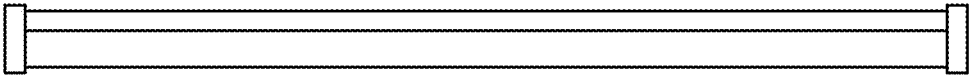
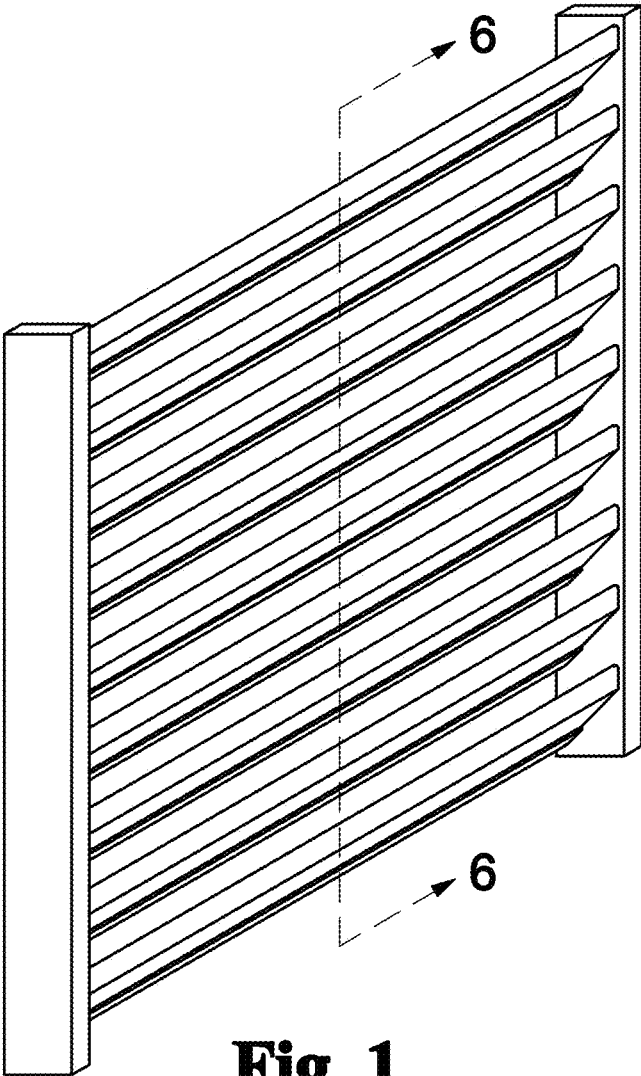


Fig. 2

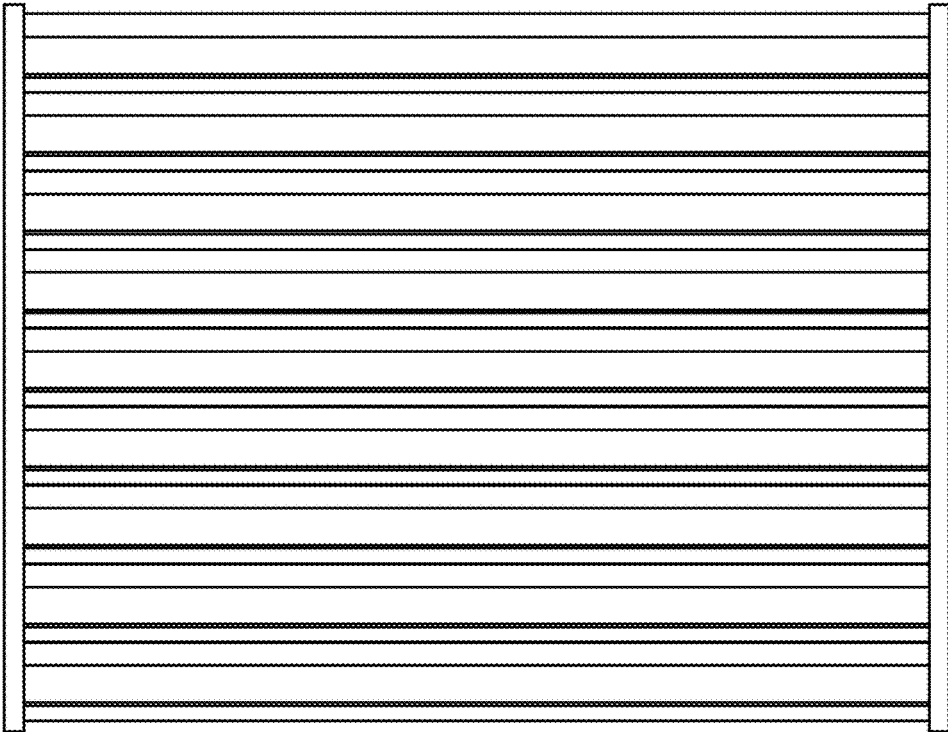


Fig. 3

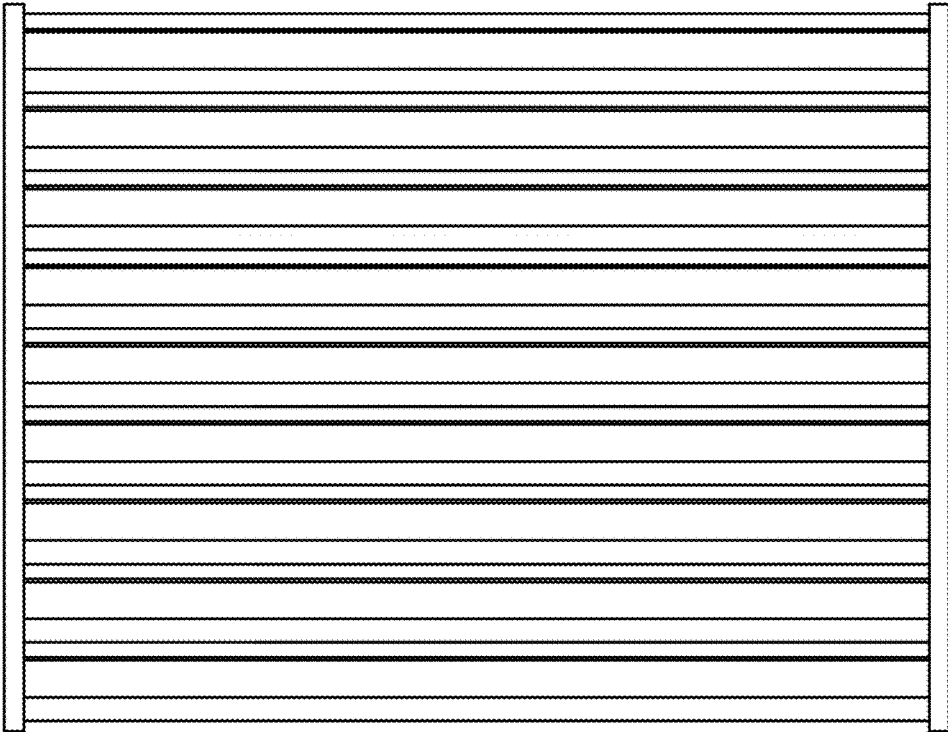


Fig. 4



Fig. 5

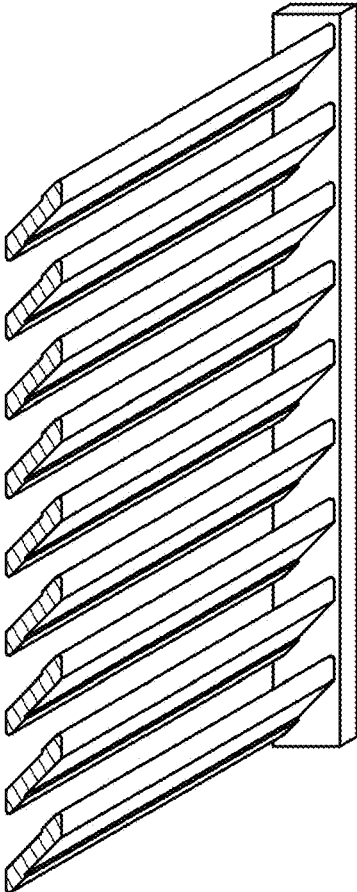


Fig. 6

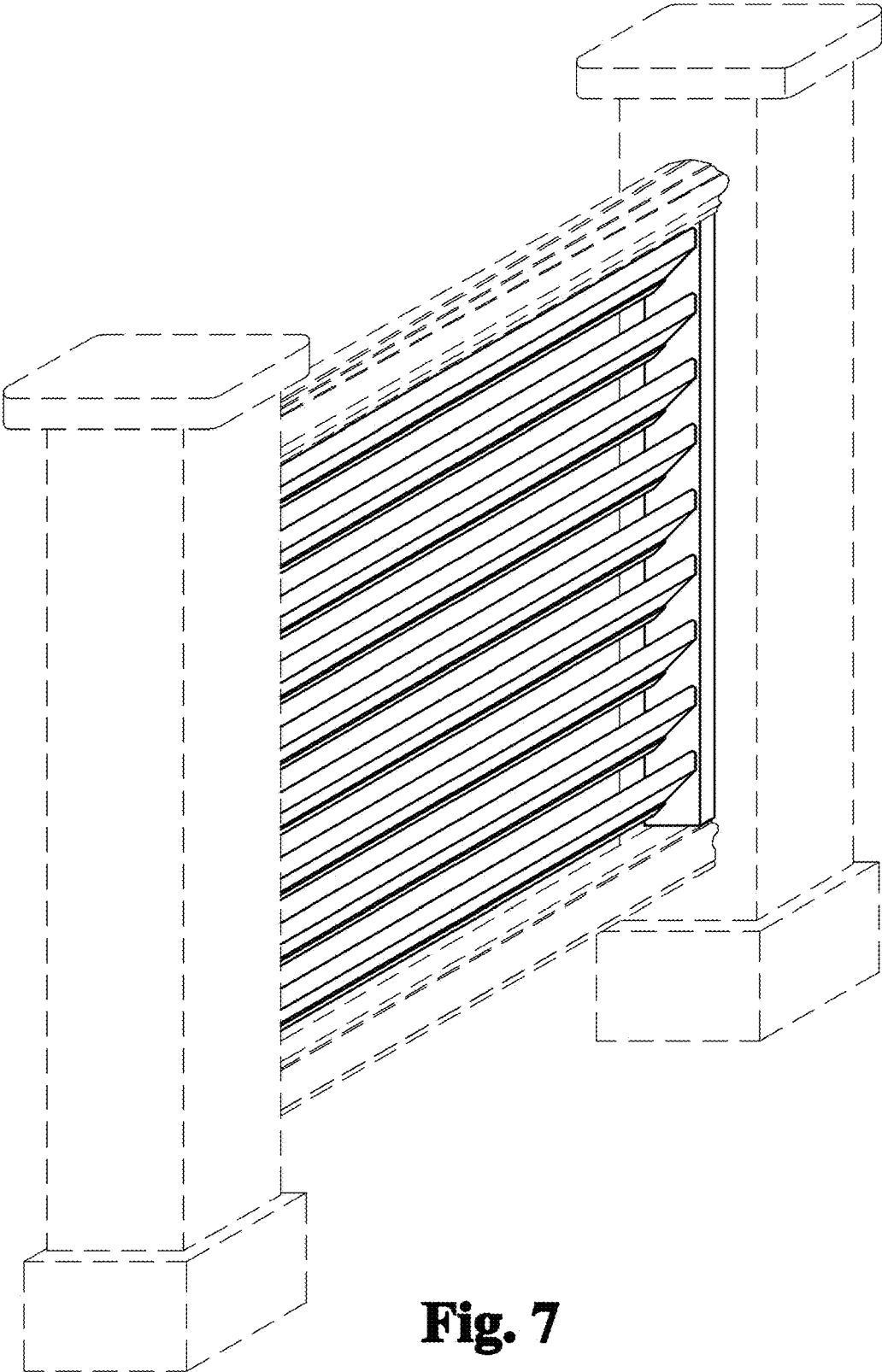


Fig. 7