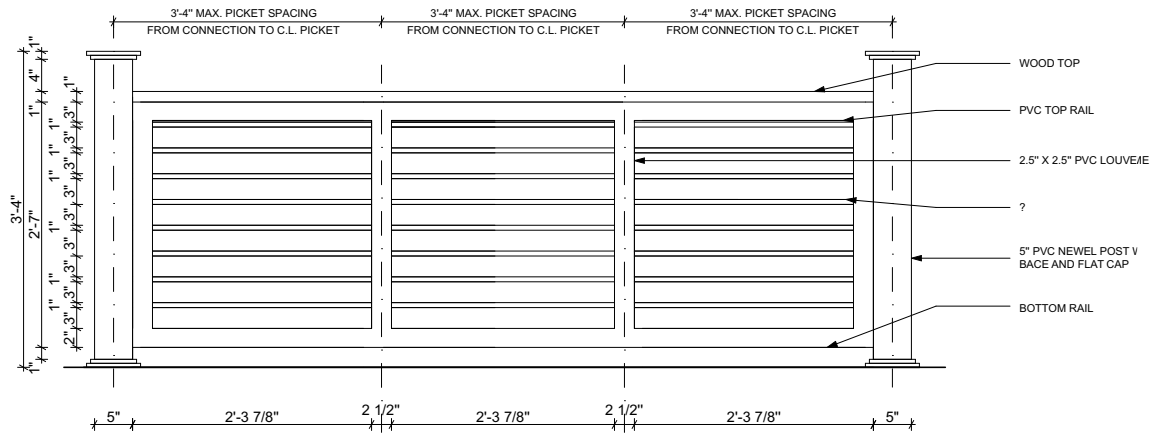


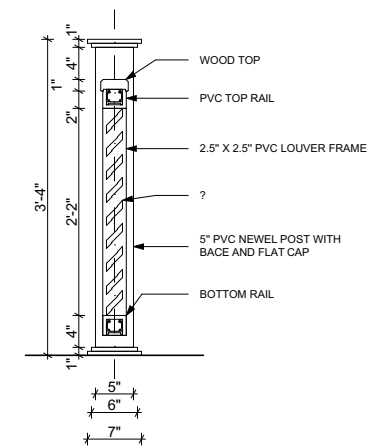
LANTERN LOUVER SYSTEM



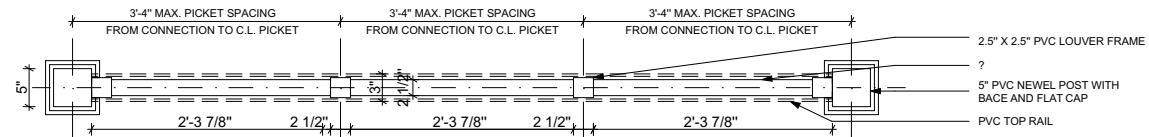
RAILING DETAIL- ELEVATION
SCALE 1/2" = 1'0"



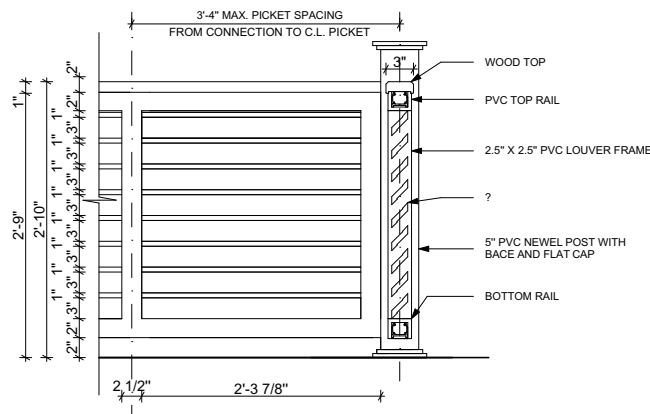
RAILING DETAIL- SECTION
SCALE 1/2" = 1'0"



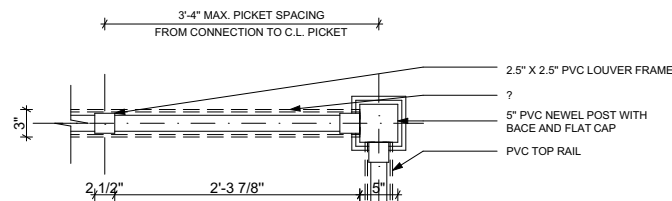
RAILING DETAIL- PLAN
SCALE 1/2" = 1'0"



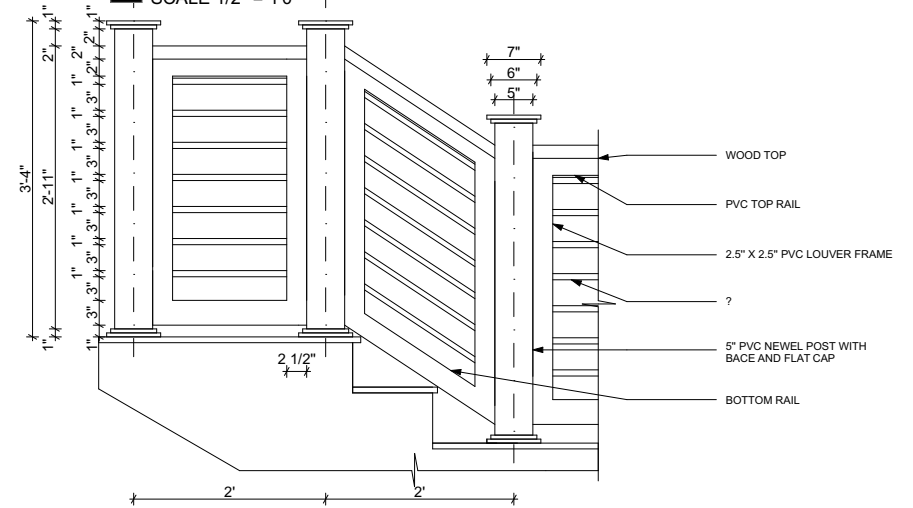
PVC POST CORNER SECTION- ELEVATION
SCALE 1/2" = 1'0"



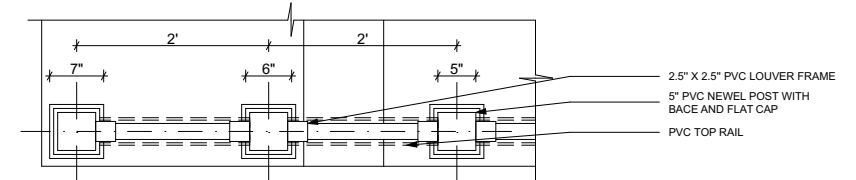
PVC POST CORNER SECTION- PLAN
SCALE 1/2" = 1'0"



SINGLE POST- ELEVATION
SCALE 1/2" = 1'0"



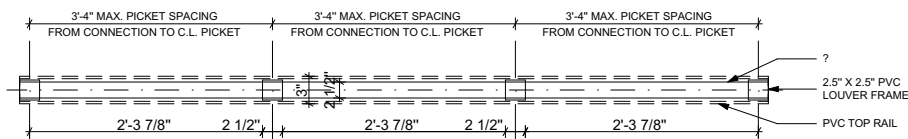
SINGLE POST- PLAN
SCALE 1/2" = 1'0"



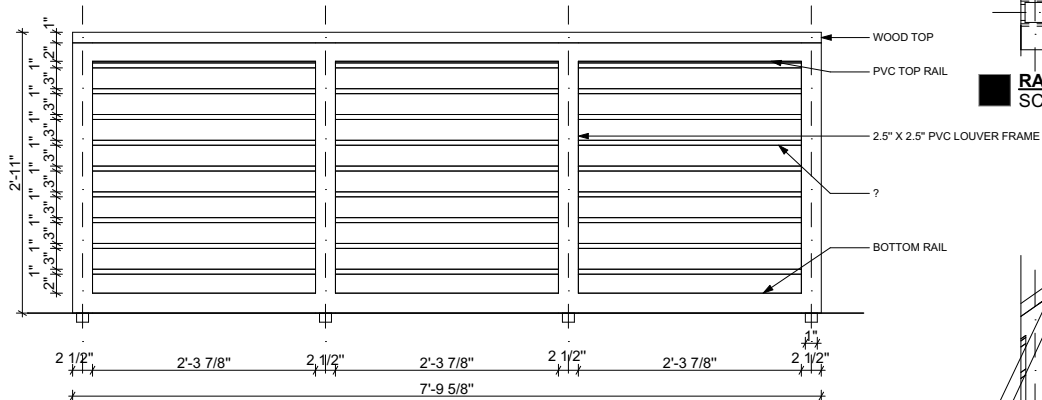
LANTERN LOUVER SYSTEM



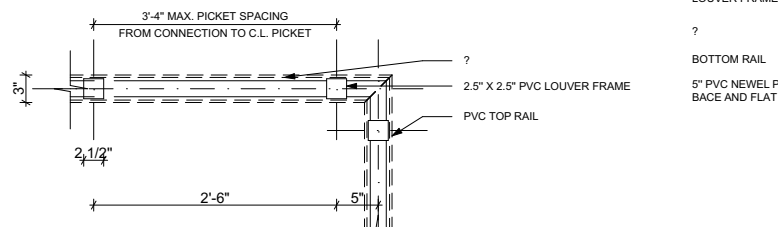
RAILING DETAIL- PLAN
SCALE 1/2" = 1'0"



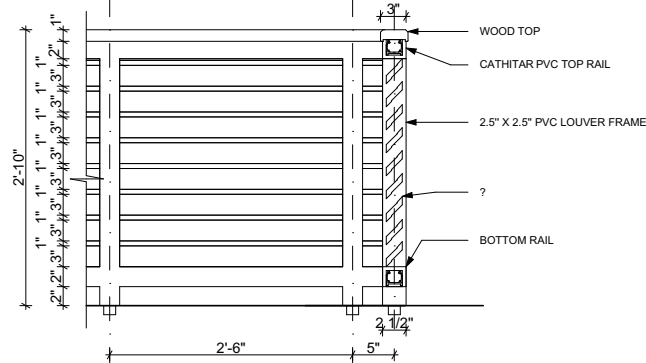
RAILING DETAIL- ELEVATION
SCALE 1/2" = 1'0"



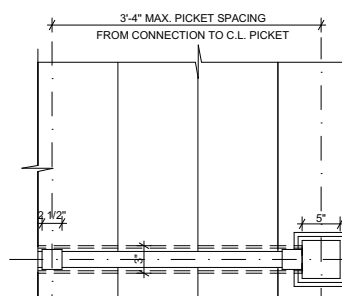
PVC POST CORNER SECTION- PLAN
SCALE 1/2" = 1'0"



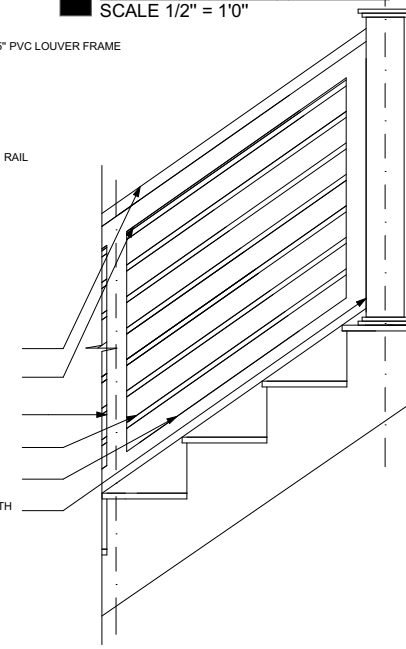
PVC POST CORNER SECTION- ELEVATION
SCALE 1/2" = 1'0"



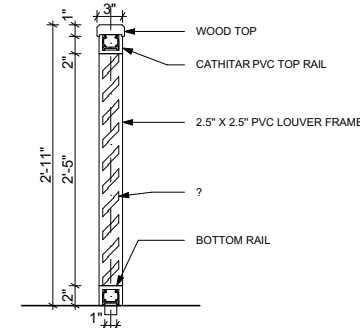
RAILING ON STAIRS- PLAN
SCALE 1/2" = 1'0"



RAILING ON STAIRS- ELEVATION
SCALE 1/2" = 1'0"

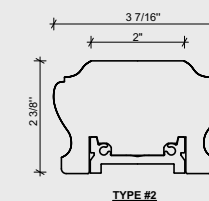
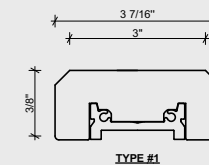


RAILING DETAIL- SECTION
SCALE 1/2" = 1'0"

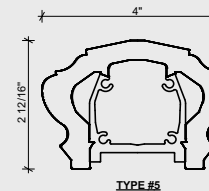
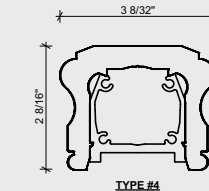
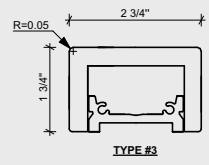


6 TYPES OF HAND RAIL
SCALE 3" = 1'0"

STOCK WOOD OPTIONS
(CEDAR, MAHOGANY,
IPE, TEAK, WHITE OAK)



PVC OPTIONS



ALUMINUM FLAT
CAP OPTION

