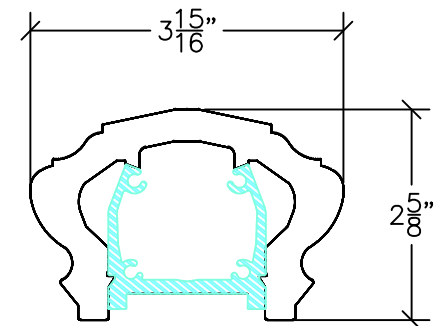
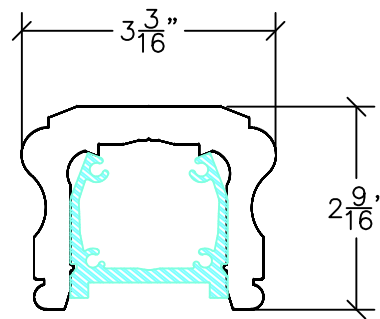
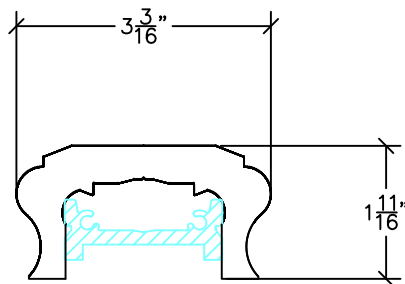
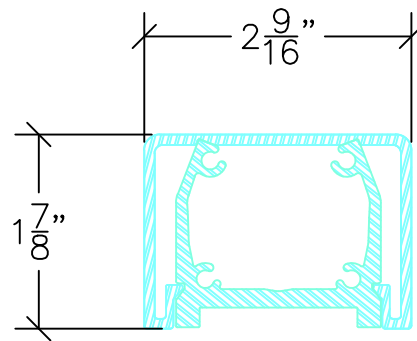


OPTIONAL cellular PVC TOP RAIL PROFILES

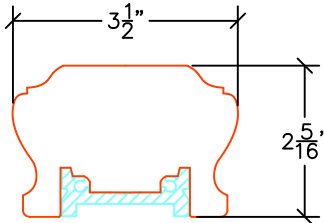
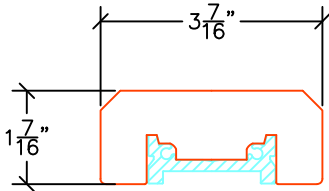


PVC profiles with aluminum reinforcement profile.
"Trademark PVC" railings,
optional for all railings styles by CCR. (cable, louver, Rod, custom)

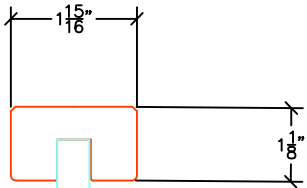


ALUMINUM profiles with
clear anodized or powdercoat finish
Optional for all railings systems

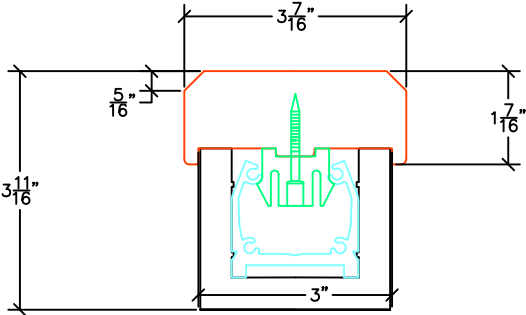
HARDWOOD TOP RAIL PROFILES. (IPE, MAHOGANY, CEDAR, TEAK)



Wood handrail with aluminum reinforcement. (mahogany, Ipe, Teak)
 Standard for
 "Mooring" Cable Railings, "Shore Rod" Rod railings
 Optional for "Trademark" PVC railings,



1/2" "Clear View Frameless"
 glass profile (wood, choice
 of mahogany, IPE and teak)



Wood profiles with aluminum reinforcement.
 "lantern" louver system only
 (mahogany, Ipe or teak)